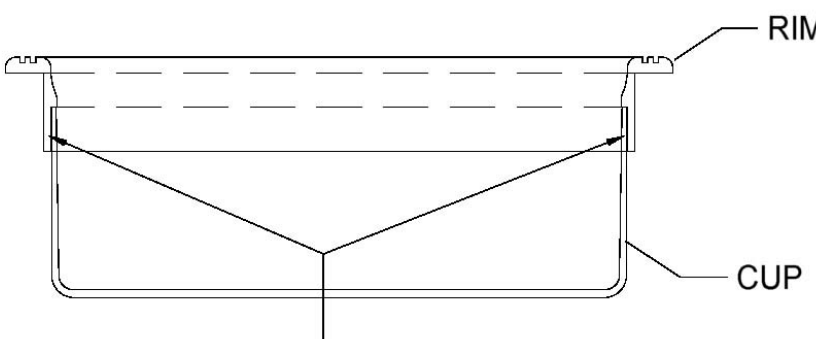


Manufacturing Notice

Name:	Plating Replacement Series Custom Cupholders
-------	--

To:	Plating Vendor
-----	----------------

Affected Parts:	All two piece "Replacement" Custom Cupholder Company top appearance rims when utilizing standard black anodized finish on bottom cup
Part Name:	Top Appearance Rim

Notice:	<p style="text-align: center;"><u>IMPORTANT PLATING INFORMATION</u></p>  <p style="text-align: center;">MAXIMUM PLATING THICKNESS ON INSIDE OF RIM FLANGE TO BE NO MORE THAN .003". REMOVE ANY LOCALIZED BUILDUP OR POOLING OF PLATING FINISH.</p>
---------	---